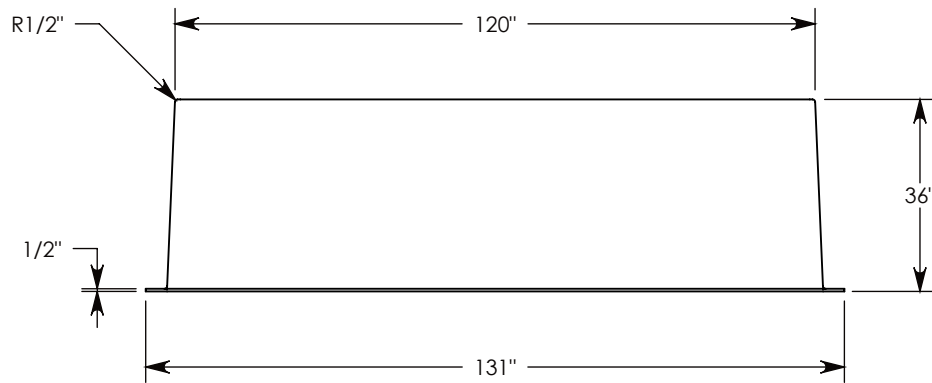
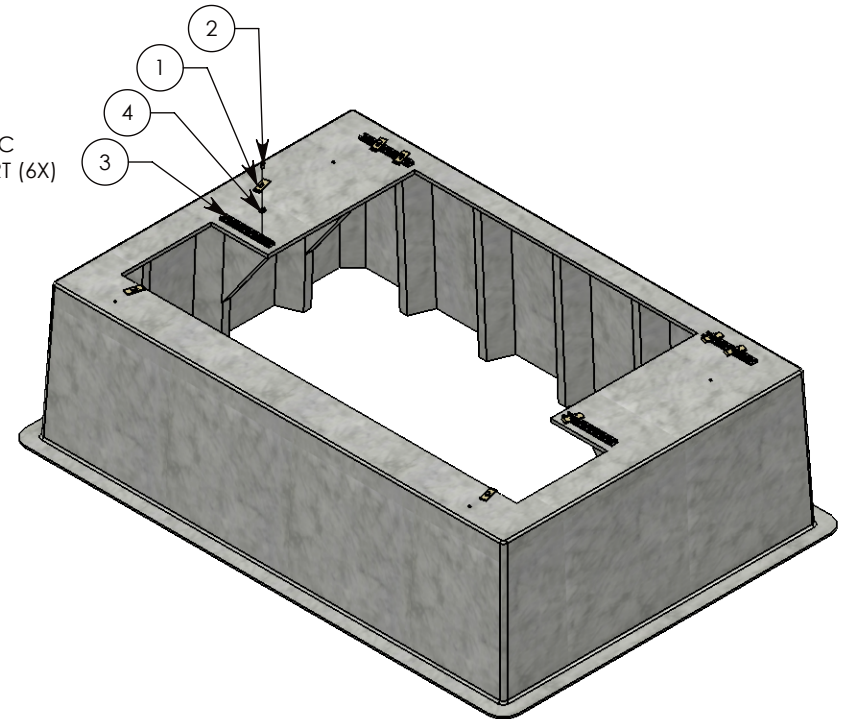
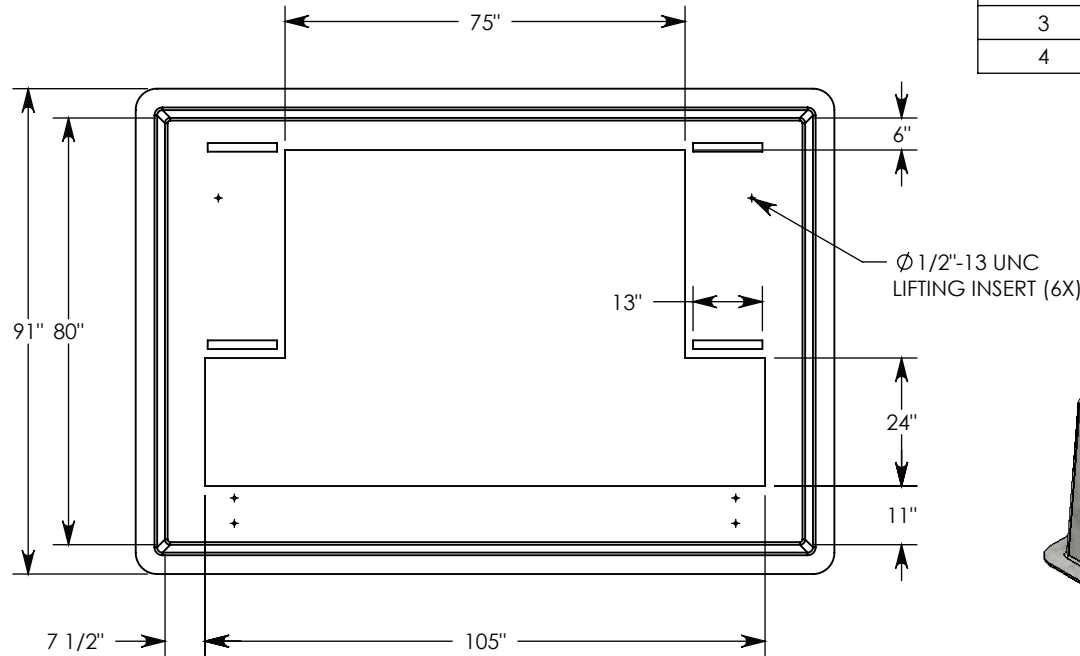


ITEM NO.	PART NUMBER	DESCRIPTION	QTY.
1	HDC-1	4" HOLD-DOWN CLAMP	8
2	HHB.5-1	1/2-13 UNC X 1" LG HEX HD BOLT	8
3	UNST13	13" LONG 1-5/8" X 7/8" GALV. STL. UNISTRUT	4
4	USN-.5	1/2-13 UNC SPRING NUT	6



NOTE 1: 8 HOLD DOWN CLAMPS (HDC) W/ BOLTS WILL BE PROVIDED

NOTE 2: FITS THE FOLLOWING VISTA ENCLOSURE SIZES; 71" X 113" & 77" X 113"

DRAWN BY: **JESSE GUTTING**

CREATED DATE: **6/21/2021** REVISION LEVEL: **0**

SAVED DATE: **9/23/2021** SAVED BY: **jgutting**

WEIGHT: **1207 LBS.** MATERIAL: **FIBERCRETE FC**

CONCAST
 1010 NORTH STAR DRIVE
 P.O. BOX 69
 ZUMBROTA, MN 55992-0069

DESCRIPTION:

FIBERCRETE BOX PAD

DIMENSIONS ARE IN INCHES
 TOLERANCES:
 FRACTIONAL: ± 1/8"
 ANGULAR: ± 2°

CONTACT INFORMATION:
 EMAIL: INFO@CONCASTINC.COM
 PHONE: (507) 732-4095
 FAX: (507) 732-4094

SHEET 1 OF 1

PART NUMBER:

FC-80-120-36-V